

## Features

- Universal Input 90~264V AC
- Direct EURO Fixed Plugtop Adapters
- Approved to UKCA, CE, TUV-GS, RoHS
- Safety standards to IEC/EN 60950-1
- Single Output 5V DC
- OVP, OCP, OTP, SCP



Ideal Power's 15DYS618-xyW-2-RS 17.5W AC/DC External Adapter Plugtop Power Supply (PSU) Series are certified to CE, TUV-GS, RoHS & IEC 60950-1/EN 60950-1 Standards and comply with (EU) 2019/1782, Level VI Efficiency Regulations. These are primarily used in ITE, Audio & Video Industries and customised solutions are available upon request.

### Models

Model Number	Output Voltage (V dc)	Output Current (A)	Output Power (W)	Efficiency (%)
15DYS618-050350W-2-RS	5	3.5	17.5	82.3
15DYS618-240075W-2-RS	24	0.75	18	85

### Input Data

	Min	Typical	Max	Units	Notes
Input Voltage	90	--	264	V AC	100-240VAC +/- 10%
Input Frequency	47	--	63	Hz	60Hz/50Hz Nominal
Input Current	--	0.5	--	A	at 100-240Vac input & Full load
Inrush Current	--	60	--	A	at 100-240Vac input and Max load for a cold start at 25°C
Leakage Current	--	--	0.25	mA	at 264Vac / 50Hz

### Output Data

	Min	Typical	Max	Units	Notes
Current Range	0.0	--	3.5	A	
Voltage Range	4.7	--	25.2	V	
Ripple & Noise	--	--	150	mVpp	
Over Current Protection	0.975	--	4.55	A	Will recover if fault condition is removed
Short Circuit Protection					Will recover if fault condition is removed
Over Voltage Protection					Will recover if fault condition is removed

**Environmental Data**

	Min	Typical	Max	Units	Notes
Operating Temperature	0	--	+45	°C	
Storage Temperature	-20	--	+80	°C	
Operating Humidity	10	--	90	%	non condensing
Relative Humidity	5	--	95	%	non condensing

**Other Information**

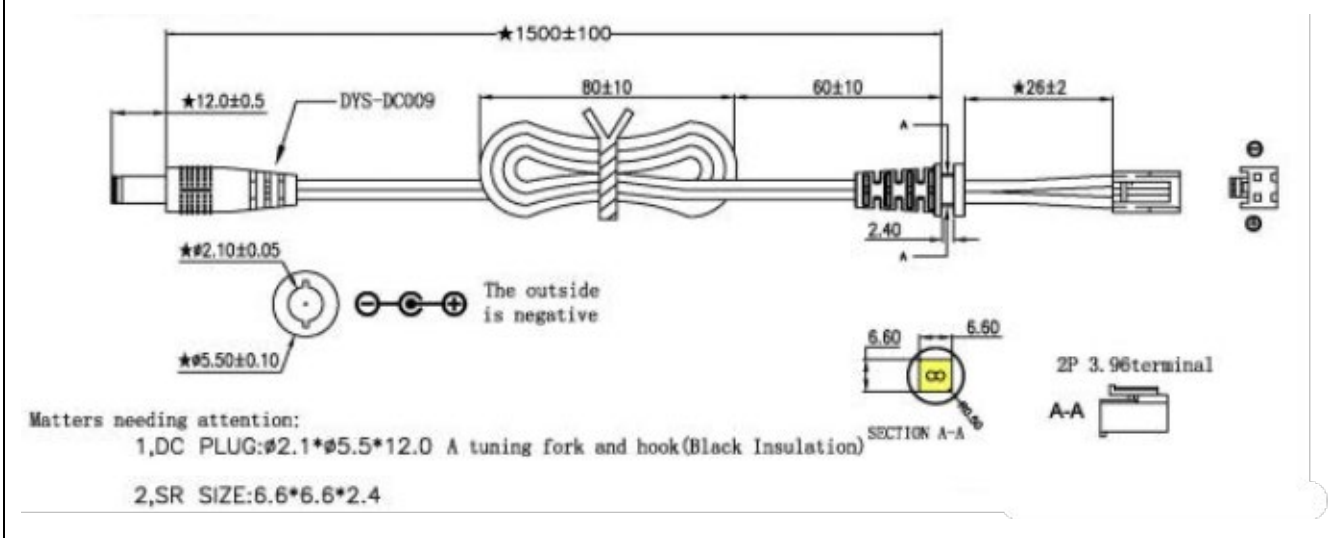
	Notes
Dielectric Strength	Primary to Secondary: 4242VDC / 5mA Max / 60second(3 seconds for mass production)
MTBF	50,000 hrs at 25°C
Weight	78g
Dimensions	76.8x50x59.3mm
Output Cord	5V: 20AWG / 24V: 24AWG - UL2468,1.5M Black
Output Connector	Output Connector: Lead O/P~OD: 2.1mm, ID: 5.5m, Length:12.0mm (H).

**Safety Approvals**

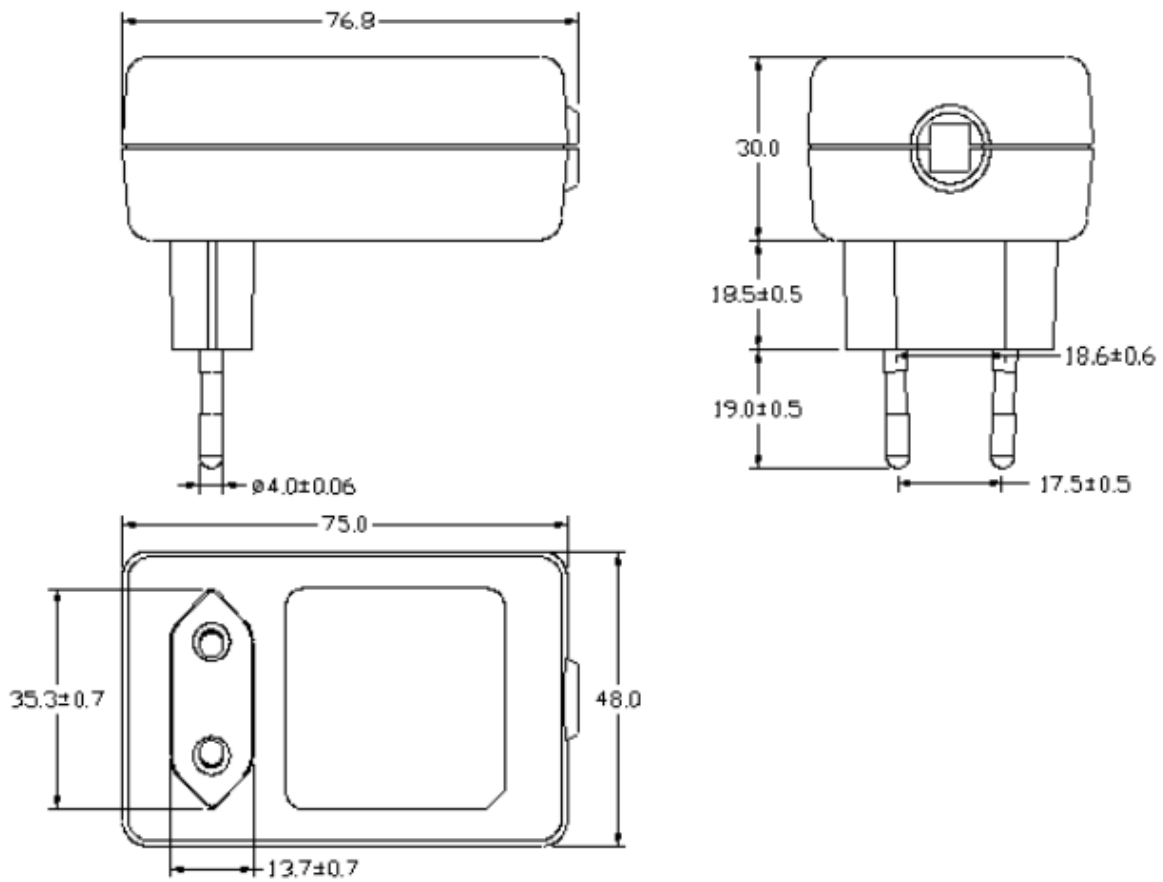
	Safety Standards
Safety Standards	IEC/EN 60950-1
Approvals	CE, TUV-GS, RoHS

**EMI/EMS Standards**

	Test Level	Test Criteria
EMI	EN 55032	
EMS	EN 55035	
ESD	IEC 61000-4-2, Air discharge +/-8KV, Contact discharge +/-4KV	Pass B
EFT	IEC 61000-4-4, AC-Input 0.5KV/1KV	Pass A/B
Surge Voltage	IEC 61000-4-5 Differential mode +/-1KV. Common mode +/-2KV	Pass A

**Cord Drawing**


Mechanical Drawing



Label

